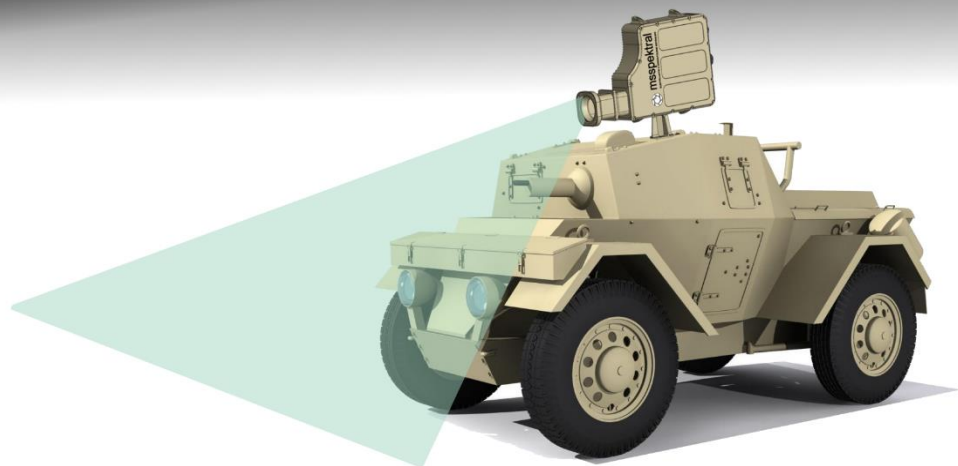




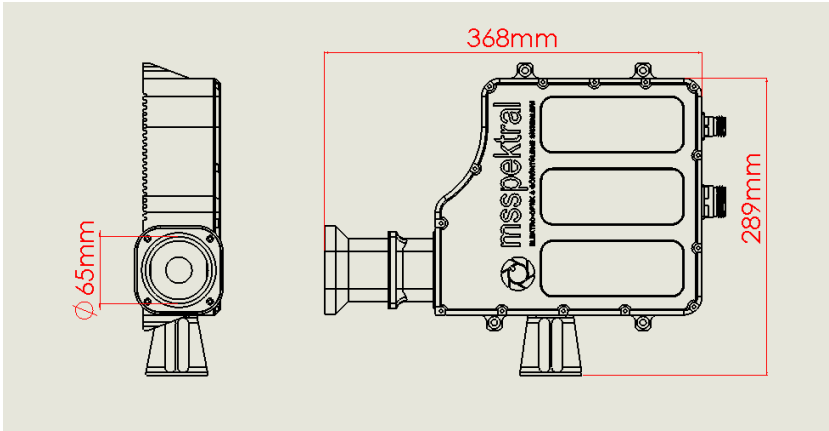
KEMGÖZ, Hyperspectral Imager

MS-HSVNIR-05

- 400nm~1000nm spectral range
- 4,5nm spectral resolution
- 134 spectral bands
- Mine detection
- Stand alone execution
- PC Interface software



KEMGÖZ is a linear scanning hyperspectral imager with 134 spectral bands for armored vehicles. Thanks to its durable mechanical design, developed for military platforms, it is compatible for harsh conditions. It can transmit the acquired hyperspectral image in real time with GigE port or save to its local storage with 300 GB capacity.



With the PC interface software, it can also be used with a rotational stage. Therefore, KEMGÖZ is also a suitable imaging system for industrial and laboratory researches.



SPECIFICATIONS

TECHNICAL SPECIFICATIONS

| | |
|--------------------------|------------------------|
| Spectrum | 400nm~1000nm |
| Number of Spectral Bands | 134 |
| Spatial Resolution | 1600 |
| Storage | 300 GB |
| PC Interface | GigE |
| Protection Class | IP66 |
| Operating Temperature | -20°C ~+50°C |
| Operation Humidity | ≤%90 relative humidity |

PERFORMANCE

| | |
|---------------------|----------------------|
| Smile Distortion | ≤ 50 μm (KEMGÖZ-I) |
| | ≤ 3 μm ((KEMGÖZ-II)) |
| Spectral Resolution | ≤ 5 nm (KEMGÖZ-I) |
| | ≤ 3 nm ((KEMGÖZ-II)) |

MS SPEKTRAL SAVUNMA SANAYİ A.Ş. MS SPEKTRAL DEFENCE INDUSTRY

Hacettepe Teknokent Beytepe Kampüsü
4.AR-GE Binası B-Blok No:95/2 06800
Beytepe, Çankaya - ANKARA / TÜRKİYE

Tel: +90 534 225 6368
email: info@msspektral.com
www.msspektral.com