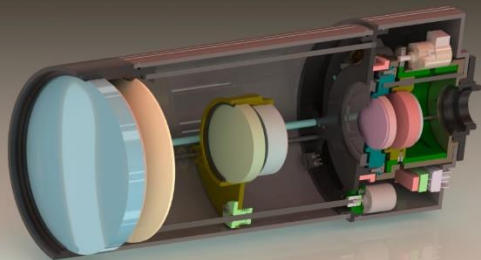




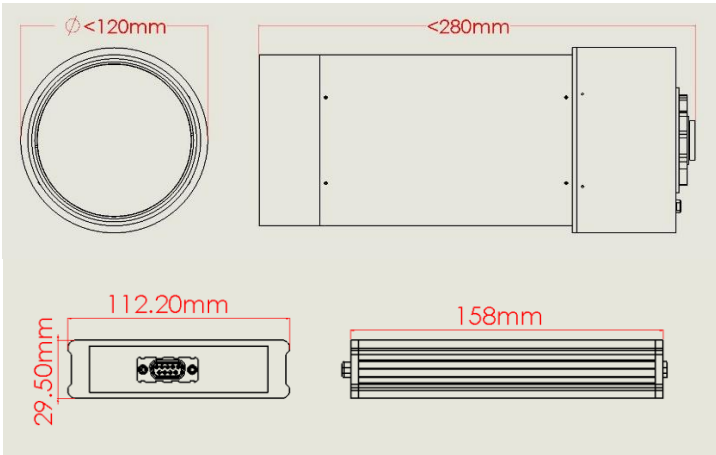
Motorized Zoom Lens with Continuous Zoom

MSZL11.7X-2.7SW

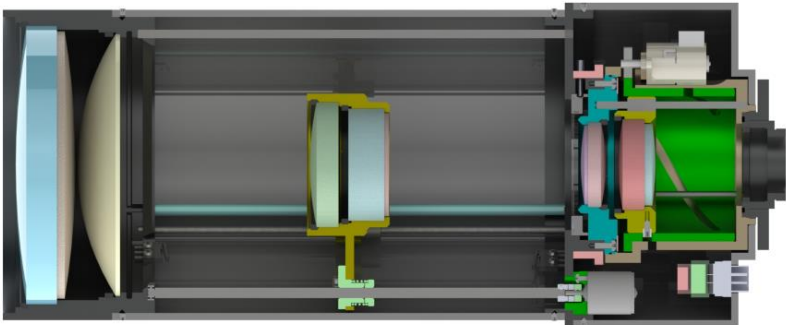
- 900nm~1700nm Short Wave Infrared (SWIR) Imaging
- Motorized Zoom, Focus and Iris
- F# 2.7
- Fast Zoom and Focus setting
- C-Mount camera interface
- Pelco-D command interface



The system consists of an optical unit and an electronic unit that controls the motorized lens. According to the desired zoom level; zoom, focus and iris motors are controlled by the electronic unit.



The system can continuously focus the scene at the desired zoom setting up to 11.7x. It has the ability to focus 10 meters at the narrowest angle and 0.5 meters at the widest angle.



SPECIFICATIONS

TECHNICAL SPECIFICATIONS

Spectrum	SWIR (900~1700nm)
Zoom	11.7X
Focal Distance	16~187mm
F#	2.7
Weight	<2500gr
Length (first lens to FPA surface)	<290mm
Mechanical Length	<280mm
Diameter	<120mm
Camera Interface	C-mount
Resolution	640 x 512 15 μ

PERFORMANCE

MTF (@33lp/mm)	>%30 (all the zoom positions, optical axis)
	>%20 (detector corners, average MTF value of two axes for all zoom positions)
Optical Distortion	<%3 (Wide)
	<%0.9 (Narrow)

MS SPEKTRAL SAVUNMA SANAYİ A.Ş. MS SPEKTRAL DEFENCE INDUSTRY

Hacettepe Teknokent Beytepe Kampüsü
4.AR-GE Binası B-Blok No:95/2 06800
Beytepe, Çankaya - ANKARA / TÜRKİYE

Tel: +90 534 225 6368
email: info@msspektral.com
www.msspektral.com